

USB Type A and C Power Charger 5 ports up to 111W



Product Name

USB Type A and C Power Charger 5 ports up to 111W

Product Series

Power Charger

Itemcode

CAC-1903

EAN code

8719214471354

UPC code

841615101542



Picture is for indication purposes

Description:

The Club3D CAC-1903 USB Type A and C, Power Charger, 5 ports up to 111W, with 4x USB Type A and 1x USB Type C connectors is designed for users who want to use only 1 Power Charger for their PC/Laptop/Tablet/Mobile phone as well as their docking station. It has a separate power cord for use into a wall socket.

By adopting PowerDelivery charging technology, this versatile Power Charger provides you with both charging function through 4 times USB Type A and 1x USB Type C interface, you can charge any connected Mobile phone / Tablet / NoteBook or any other supported devices. Furthermore we bundle the USB Type C cable for your convenience.

Charging

By adopting PD Charging technology and charging function through both USB Type A and Type C interfaces the Club3D Power Charger offers versatile and unique functionality with its 5 ports. It will charge your devices up to 111 Watts. Built-in safeguards protect your devices against excessive current, overcharging and overheating.

Features:

- Multi purpose 5 Port USB Power Charger
- Supports PD charging
- Provide power up to 111W input: 100-110/240VAC
- Bundled with a USB Type C Power cable
- 4 ports USB Type A and 1 port USB Type C
- 1x USB Type C port supports PD charging with max 87W(20V/4.35A)
- 4x USB Type A ports supports PD charging with max 24W(5V/4.8A)
- Bundled with a powercord (country specific version)
- Eliminates the need for multiple Power Chargers
- Light weight and easy installation

OS Support:

All

In the box:

- CAC-1903 USB Type A and C Power Charger 5 ports
- Powercord depending on Country (Specify on order)
- 1x RED USB Type C cable (1m/39,3Inch) for connecting to Host

Input:

- AC power plug

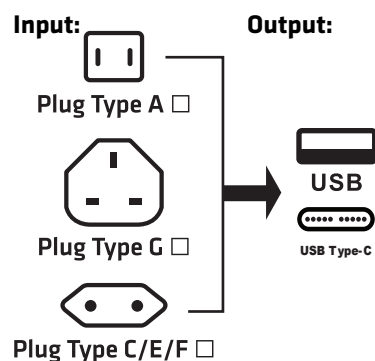
Output:

- 1x USB Type C Female
- 4xUSB Type A Female

Other info:

- Box size: 17,5 x 15,5 x 5,5 cm
- Box size: 6,8 x 6,1 x 2.22 inch
- Device size: 10,2 x 2.54 x 6 cm
- Device size: 4 x 1.2 x 2.36 inch
- Device Weight:
depending on power plug ≈ 425 gr. / 15 oz.
- USB C cable Weight: 35 gr. / 1,2 oz.
- Box Weight: 85gr. / 3 oz.
- Total Weight:
depending on power plug ≈ 666 gr. / 23,5 oz.
- Meets ROHS, FCC, and CE EMI requirements

Warning Safe Usage: Only to be used at altitude 2000 meters/6562 feet and below.



Disclaimer:
While we endeavor to provide the most accurate, up-to-date information available, the content on this document may be out of date or include omissions, inaccuracies or other errors. Therefore Club 3D does not accept any rights claimed on the content of this document. Please refer to a full overview of our Legacy Terms and Conditions on www.club-3d.com. All other brand names are trademarks or registered trademarks and are the property of their respective owners. All content is subject to change without prior notice.